

DVE22N6850W

SAMSUNG

4.0 cu. ft., 24" Front-Load Electric Dryer



Signature Features

Smart Care

- Smart Care interacts with your dryer to perform an immediate diagnosis and offer quick solutions.

Sensor Dry

- Optimizes cycle time and temperature to dry clothes thoroughly, while preventing heat damage.

14 Preset Drying Cycles

- Covers almost any drying need for your active family.

Available Colours

- White



Smart Care



Sensor Dry

Features

- Smart Care
- Sensor Dry
- 14 Preset Drying Cycles
- 24"-Wide – Fits in the tightest quarters
- 8 Options
- 5 Temperature Settings

- Interior Drum Light
- Ice Blue LED Display
- Crystal Blue Door
- Wrinkle Prevent Option
- Stainless Steel Drum

Convenience

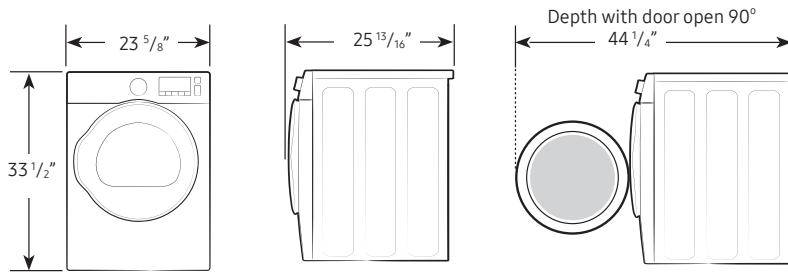
- Child Lock
- Filter Check

DVE22N6850W

SAMSUNG

4.0 cu. ft., 24" Front-Load Electric Dryer

Dimensions



4.0 cu. ft. Capacity DOE

4-Way Venting

14 Preset Dry Cycles:

- Normal, Heavy Duty, Mixed Load, Towels, Permanent Press, Active Wear, Jeans, Delicates, Wool, Sanitize, Time Dry, Air Fluff, 30' Express, Wrinkle Release

8 Options:

- Mixed Load Bell, Wrinkle Prevent, My Cycle, Adjust Time, Sound Off, Child Lock, Smart Care, Drum Light

5 Temperature Settings:

- High, Medium, Medium Low, Low, Extra Low

5 Dry Levels:

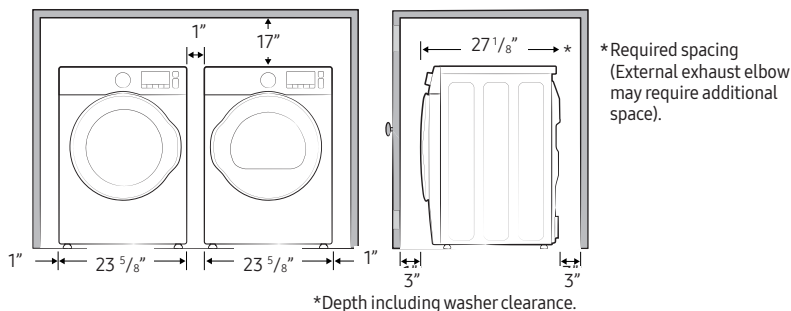
- High, Medium, Medium Low, Low, Extra Low

Installation Specifications

If the washer and dryer are installed together or the dryer alone, the closet front must have two unobstructed air openings for a combined minimum total area of 72 in.² (see stacked build below). Your washer alone does not require a specific air opening.

1. Alcove or closet installation

MINIMUM CLEARANCES FOR CLOSET AND ALCOVE INSTALLATIONS:



*Depth including washer clearance.

Warranty

One (1) Year All Parts and Labour

Stacking Kit

Included with the compact dryer SK-DH

UPC Code: 887276151052

Product Dimensions & Weight (WxHxD)

Dimensions: 23 5/8" x 33 1/2" x 25 13/16"

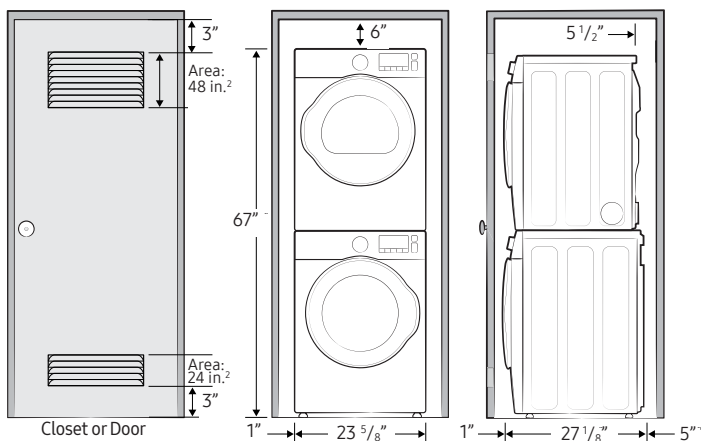
Weight: 88 lbs. (40 Kg)

Shipping Dimensions & Weight (WxHxD)

Dimensions: 26 1/4" x 35" x 27 1/2"

Weight: 93 lbs. (42 Kg)

2. With stacked washer and dryer



Electric Dryer

Model #

UPC Code

Colour: White

DVE22N6850W

887276261843

Matching Washer

Model #

UPC Code

Colour: White

WW22N6850QW

887276261645