

NZ30M9880

30" Induction Cooktop



Signature Features

Digital-Analogue Controls

- Provide the ultimate interface, choose between a removable magnetic analog-knob or Digi-touch controls.

Virtual Flame™ Technology

- Gives the visual of gas cooking and the precision of induction cooking.

FlexZone™

- Automatically adapts to the shape and size of your pots and pans.



Virtual Flame™ Technology



FlexZone™

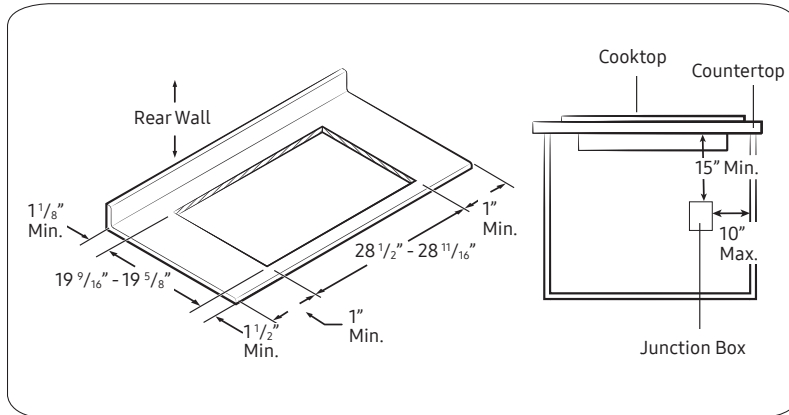
Features

- Beveled Glass Design
- Cooktop On/Off Monitoring
- 4 Induction Elements – including 4800W Dual Element – 7"/11"
- 8.6 kW Power
- 15 Heat Settings
- Power Boost
- Wi-Fi™ Connectivity
- Simmer Control
- Melt Mode
- 2-Stage Residual Heat Indicator
- Kitchen Timer
- Child Safety Lock
- Can be installed over a single oven

NZ30M9880

30" Induction Cooktop

Cut-Out Dimensions of Countertop



Total Power (BTU)
8.6 kW

Power Source
120V / 60 Hz / 10A

Induction Cooktop

- Left Front: Flex Zone 1800W (Boost 2600W)
- Left Rear: Flex Zone 1800W (Boost 2600W)
- Right Front: 6" (Virtual Flame™) 1400W (Boost 1800W)
- Center: 7/11" (Virtual Flame™) 3600W (Boost 4800W)
- Flex Zone: 7¹¹/₁₆" x 15³/₄"

Warranty

Two (2) Year All Parts and Labour
Five (5) Years Parts Warranty for Glass Cooktop

Product Dimensions & Weight (WxHxD)

Outside (Max) Cooktop Dimensions:

30" x 4" x 21¹/₄"

Cooktop Cut-Out Dimensions:

28¹/₂" x 4" x 19⁹/₁₆"

Weight: 52.4 lbs.

Shipping Dimensions & Weight (WxHxD)

Dimensions: 34" x 7⁵/₁₆" x 25"

Shipping Weight: 60.0 lbs.

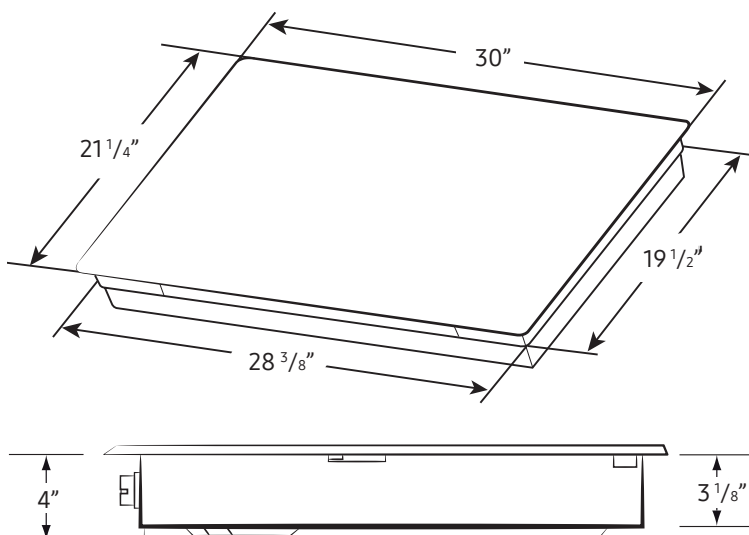
Model #

NZ30M9880UB

UPC Code

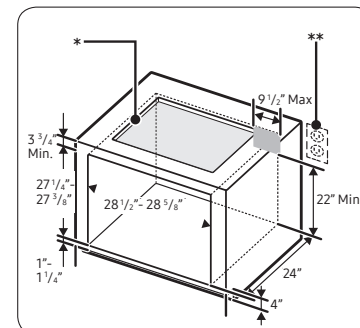
887276237077

Cooktop Dimensions



Installing Your Cooktop

Can be installed over a single oven.



* See built-in oven installation for complete installation instructions.

See label on top of approved built-in oven models.

** Refer to oven installation manual.